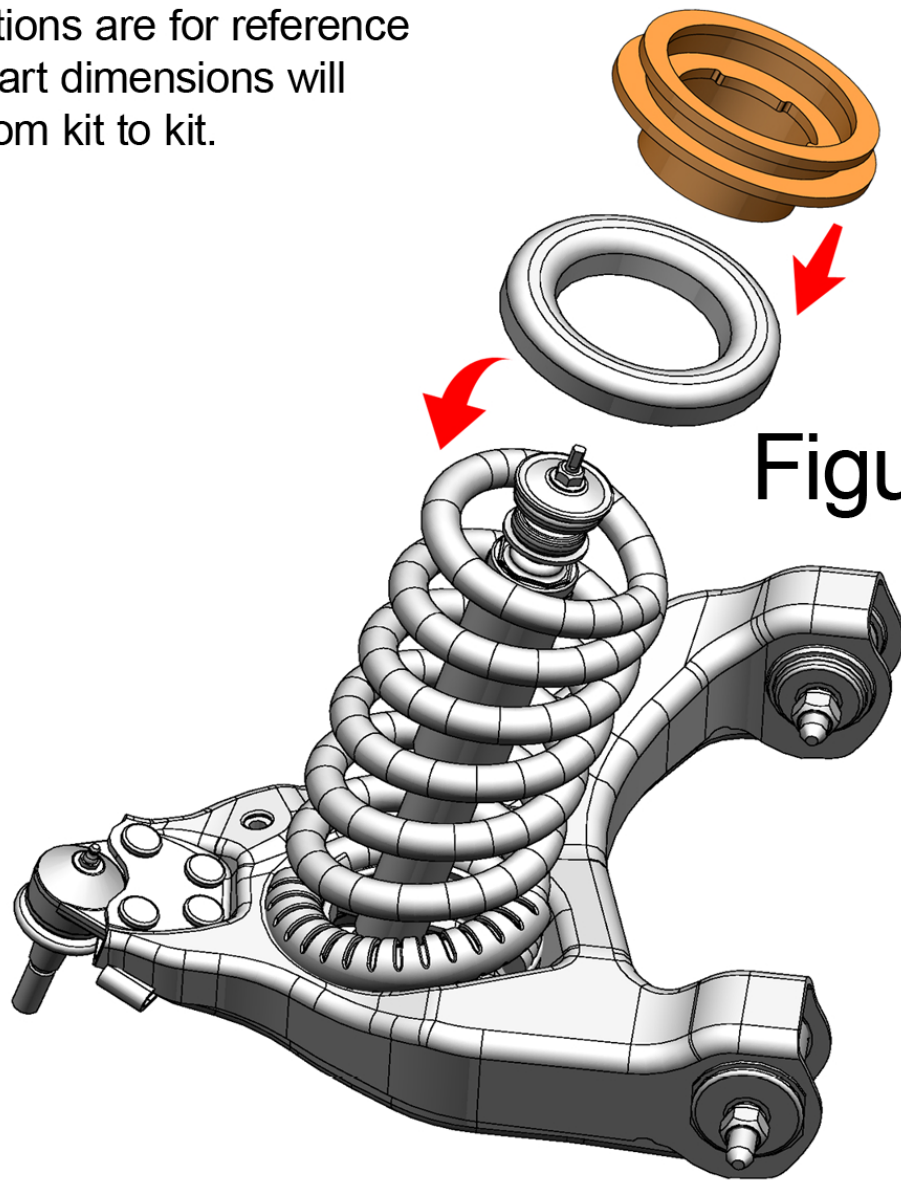


Ex. 104080, 108030-33, 604080, 605050

### SPACER INSTALLATION

1. Support the front axle with a jack
2. Disconnect shocks (sway bar links, brake line mounts, ABS wiring brackets)
3. Remove spring and install Traxda spacer as shown in Figure A.
4. Reinstall spring and spacer, repeat on the other side.
5. Raise axle with jack until springs are seated

Illustrations are for reference only. Part dimensions will vary from kit to kit.

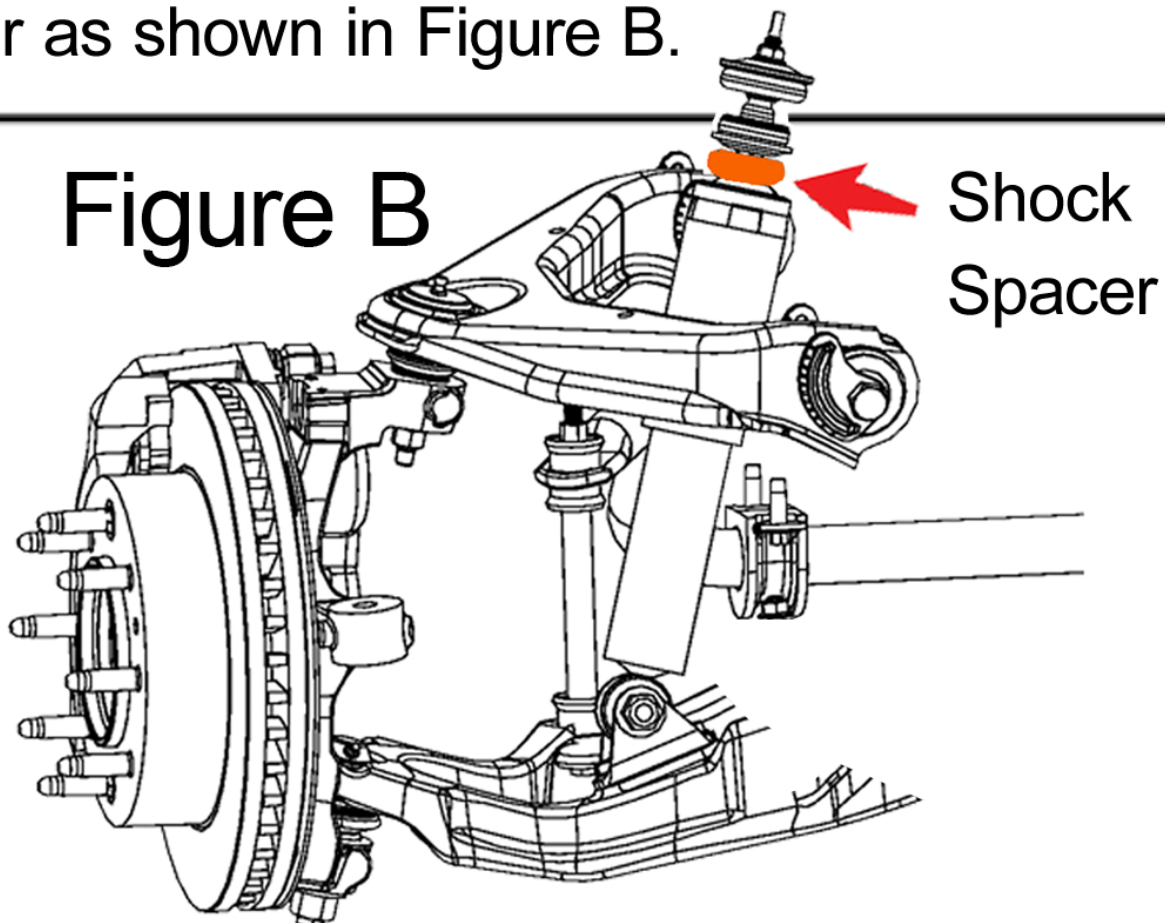


## SHOCK INSTALLATION DEPENDS ON TRUCK

Essentially :

1. Remove shock
  - a. If bracket
    - i. remove lower shock mount bolt
    - ii. remove OEM shock bracket from lower control arm (if there)
    - iii. Install supplied shock mount bracket
  - b. If Spacer
    - i. Remove shocks
    - ii. Add supplied spacers/DOM on upper mounting studs as shown in Figure B.

er as shown in Figure B.



- iii. Reinstall shocks
- iv. Secure in place using supplied nuts (if supplied)

2. Reinstall shock